


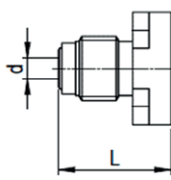
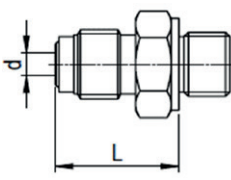


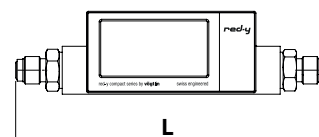
Vacuum fittings

Vacuum fittings are sold individually (incl. O-ring).
Female nut and gasket is not included in the scope of delivery.

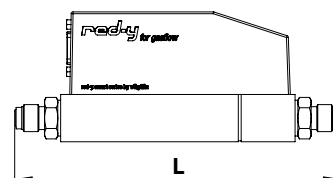
Part-N°	328-1192	328-1190	328-1191
			
Dimension drawing			
Connection device side	M4 x 10 (incl.)	G 1/4" BSPP	G 1/2" BSPP
Connection process side	VC 1/4"	VC 1/4"	VC 1/2"
Connection process side (detailed)	9/16-18 UNF 3A	9/16-18 UNF 3A	7/8-14 UNF 3A
d in mm	4.6	4.6	10.2
L in mm	24	24.3	31.7
Wrench size	Allen key 3mm	19mm	27mm
Material	1.4404	1.4305	1.4305
Surface finish (sealing surface)	Ra 0.4 µm	Ra 0.4 µm	Ra 0.4 µm
O-ring (EPDM, FFKM optional)	FKM	FKM	FKM

Installation length L in mm (inch) incl. Vacuum fittings

red-y compact series	328-1192	328-1190	328-1191
GCM G1/4"	162 (6.378)	162.6 (6.402)	-
GCM G1/2"	-	-	223.4 (8.795)
GCR G1/4"	162 (6.378)	162.6 (6.402)	-
GCR G1/2"	-	-	270.4 (10.646)



red-y smart series	328-1192	328-1190	328-1191
GSM G1/4"	142 (5.591)	142.6 (5.614)	-
GSM G1/2"	-	-	208.4 (8.205)
GSC G1/4"	172 (6.772)	172.6 (6.795)	-
GSC G1/2"	-	-	233.4 (9.189)
GSC G1/2" valve type 8	-	-	249.8 (9.835)



red-y industrial series	328-1192	328-1190	328-1191
GIM G1/4"	n.a.	142.6 (5.614)	-
GIM G1/2"	n.a.	-	208.4 (8.205)
GIC G1/4"	n.a.	182.6 (7.189)	-
GIC G1/2"	n.a.	-	261.4 (10.291)

