

Q-Flow product information

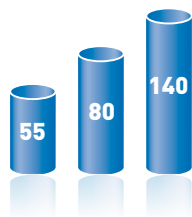


Variable area flowmeters for gases and liquids

Attractive design and price: Variable area flowmeters Q-Flow

The proven variable area flowmeter with compact, intelligent and attractive design.

Measuring tubes in 3 sizes

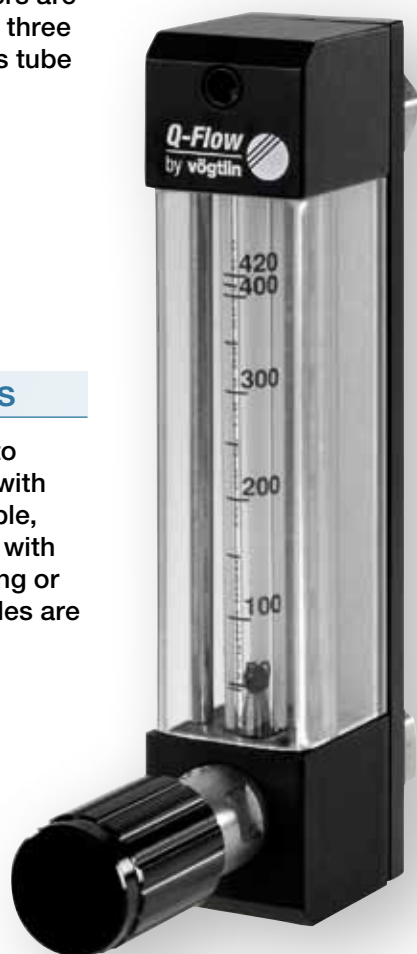


The flow meters are available with three different glass tube lengths

Measuring tube scales



In addition to mm scales with flow rate table, glass tubes with direct reading or custom scales are available



Intelligent instrument design

The compact and attractive design enables quick replacement of components

Aluminium or stainless steel



The bodies are available in aluminium or stainless steel. Sealing materials FKM or EPDM



Q-Flow 80
Stainless steel version

Tightly closing precision control valves


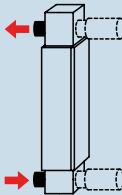


The devices are equipped with precise, hysteresis-free 15-way control valves.

Different rotary knobs are available:

- Standard knob (see above picture)
- Standard knob and locking ring
- Hex socket and locking nut instead of standard knob

Technical specifications variable area flowmeters Q-Flow

Features	Construction	Short mounting length, 3 instrument sizes		
	Connections	On the rear		
	Scale	Millimetric scale, direct reading scale and customer-specific scale. The scales are highly wear-resistant		
	Float type	Spherical		
	Valve	Precisely adjustable, 15-turn micro valve, practically hysteresis-free The control range (Kv-value) is optimized for the full scale		
	Rotary knob	3 different versions are available		
	Body material	Aluminium or stainless steel		
	Seals material	FKM or EPDM		
Customization	We provide customer-specific versions			
Instrument versions	Setup	Standard* Installation into control panel, retractable Customer-specific versions		
	Material	Anodized aluminium/Nickelized brass (valve)/FKM Stainless steel/FKM Stainless steel/EPDM		
	Connection	G 1/4" female* G 1/8" female G 1/4" female for compression fittings NPT 1/4" female		
	Valve at inlet* or outlet	With standard knob* With standard knob and locking ring With hex socket and locking nut Without valve		
Technical data	Type	Q-Flow 55	Q-Flow 80	Q-Flow 140
	Turndown ratio	10:1	10:1	10:1
	Accuracy in % of full scale	±5%	±4%	±2%
	Measuring tube length	55 mm	80 mm	140 mm
	Scale length	40 mm	65 mm	120 mm
	Float	spherical	spherical	spherical
	Max. pressure	20 bar	20 bar	16 bar
	Max. temperature	100 °C	100 °C	100 °C
Max. pressure drop	20 mbar	20 mbar	30 mbar	
Options	Calibration report (factory certificate)			
	Additional flow rate table for mm-scale			
	Panel mounting kit			
	Locking ring (for standard knob)			
	Locking nut (instead of standard knob)			
	Customized measuring tube scale			
Setup	Standard setup without valve	Standard setup with valve		
				

*Standard – Subject to technical alterations

Measuring ranges variable area flowmeters Q-Flow

The measuring tubes are available with three different scales:

1. Measuring range for direct reading scales – Standard scales						
Medium	Air					
Reference conditions	ln/h / 1.21 bara / 20 °C			mln/min / 1.013 bara / 20 °C		
	Q-Flow 55	Q-Flow 80	Q-Flow 140	Q-Flow 55	Q-Flow 80	Q-Flow 140
	0.12 – 1.2	0.12 – 1.2	–	–	10 – 120	10 – 100
	0.2 – 2	0.2 – 2	0.2 – 2	–	20 – 240	40 – 220
	0.3 – 3	0.3 – 3	0.3 – 3	–	60 – 640	50 – 540
	0.5 – 5	0.5 – 5	0.5 – 5	ln/min / 1.013 bara / 20 °C		
	0.8 – 8	0.8 – 8	0.8 – 8	Q-Flow 55	Q-Flow 80	Q-Flow 140
	1.6 – 16	1.6 – 16	1.6 – 16	–	0.1 – 1	0.1 – 1
	4 – 40	4 – 40	4 – 40	–	0.3 – 2.2	0.2 – 2.2
	6 – 60	6 – 60	6 – 60	–	0.5 – 5	0.5 – 6.0
	10 – 100	10 – 100	10 – 100	–	0.2 – 10	1.5 – 10.5
	25 – 250	25 – 250	25 – 250	–	2 – 20	2 – 26
	50 – 500	50 – 500	50 – 500	–	4 – 32	6 – 51
	80 – 800	80 – 800	80 – 800	–		
	120 – 1200	120 – 1200	120 – 1200	–		
Medium	Water					
Reference conditions	l/h / 20 °C					
	Q-Flow 55		Q-Flow 80		Q-Flow 140	
	0.25 – 2.5		–		0.25 – 2.5	
	0.5 – 5		–		0.5 – 5	
	–		–		1.2 – 12	
	2.5 – 25		–		2.5 – 25	
	4 – 40		–		4 – 40	
	–		–		6 – 60	
	–		–		7 – 70	

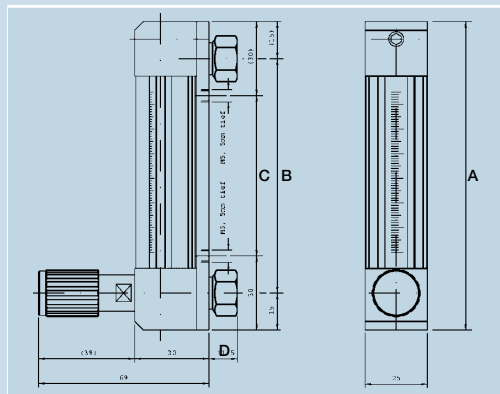
2. Measuring range for mm scales (with flow table) – For varying operating conditions (temperature, pressure, medium)				
Medium	Air		Water	
Reference conditions	ln/h / 1.21 bara / 20 °C		l/h / 20 °C	
Measuring range	smallest	highest	smallest	highest
Q-Flow 80	0.04 – 1.75	850 – 3000	0.001 – 0.03	0.8 – 40
Q-Flow 140	0.15 – 2.25	500 – 5000	0.002 – 0.03	12 – 150

- ### 3. Customer-specific scales
- For customer-specific scales please provide the following specifications:
- Medium, mixture if applicable and max. flow
 - Pressure in bar, absolute (only required for gases)
 - Medium temperature, if applicable medium viscosity and density

Dimensions variable area flowmeters Q-Flow

Type	Dimensions in mm		
	A	B	C
Q-Flow 55	100	70	40
Q-Flow 80	125	95	65
Q-Flow 140	185	155	125
Fittings	D		Thread depth
G1/4" female	12		7
G1/8" female	12		8
G1/4" female for compression fittings	17		12
NPT 1/4"	16		9

Find detailed dimensions in the V-Flow Line manual



Do you have any questions about our products?

Give us a call:

+41 (0)61 756 63 00

Or write us an e-mail:

info@voegtlin.com

You will find your local Vögtlin sales partner on the internet:

www.voegtlin.com

Vögtlin Instruments AG – flow technology

Langenhagstrasse 1 | 4147 Aesch (Switzerland)

Phone +41 (0)61 756 63 00 | Fax +41 (0)61 756 63 01

www.voegtlin.com | info@voegtlin.com

vögtlin 
instruments